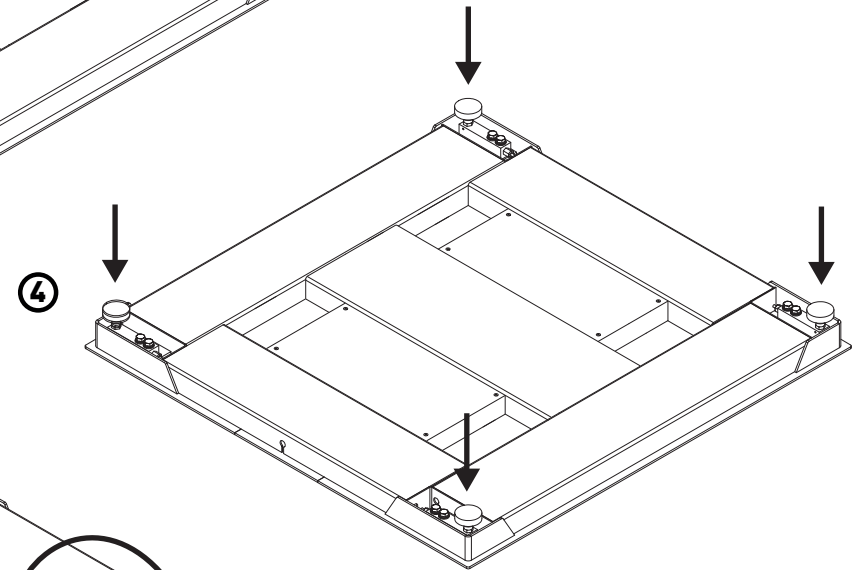
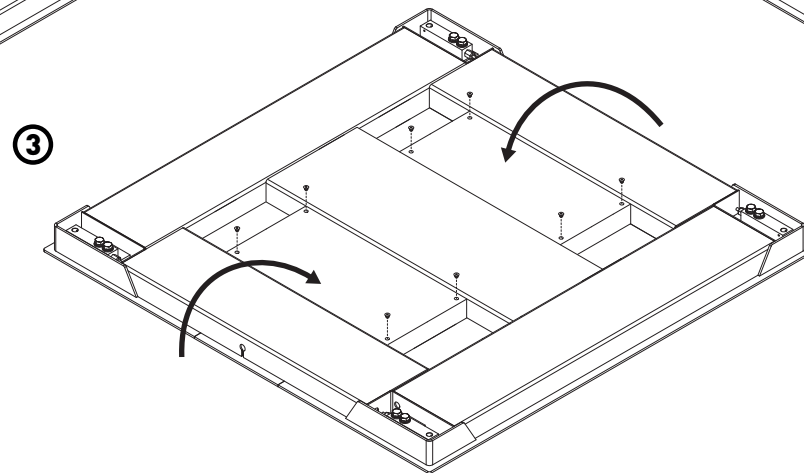
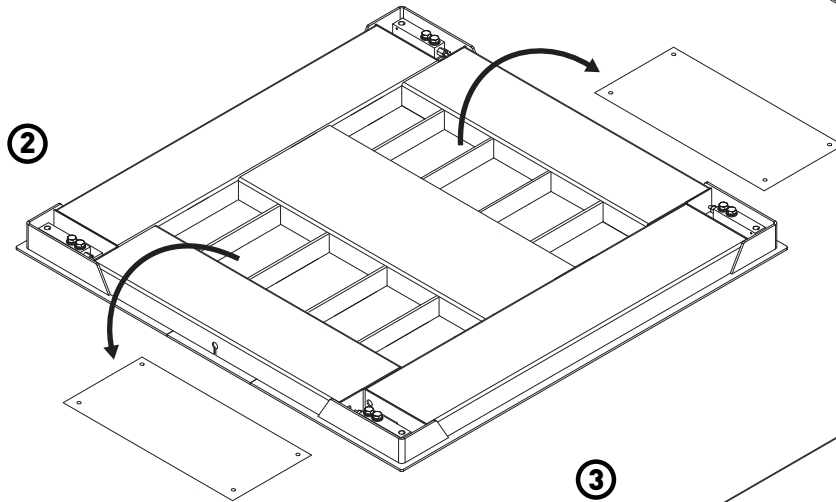
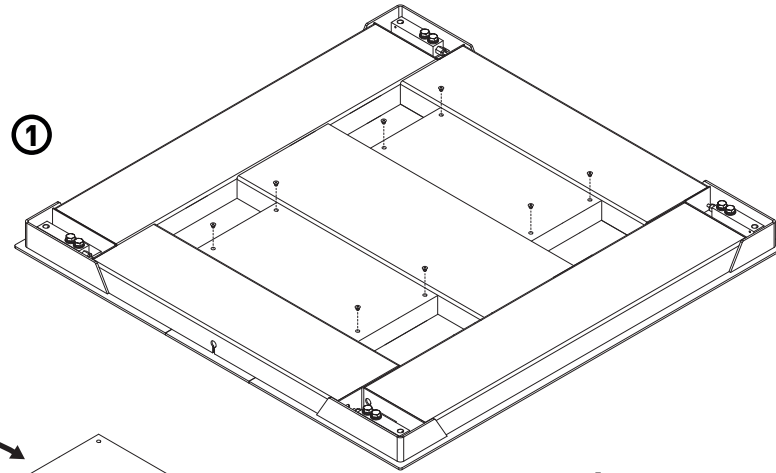
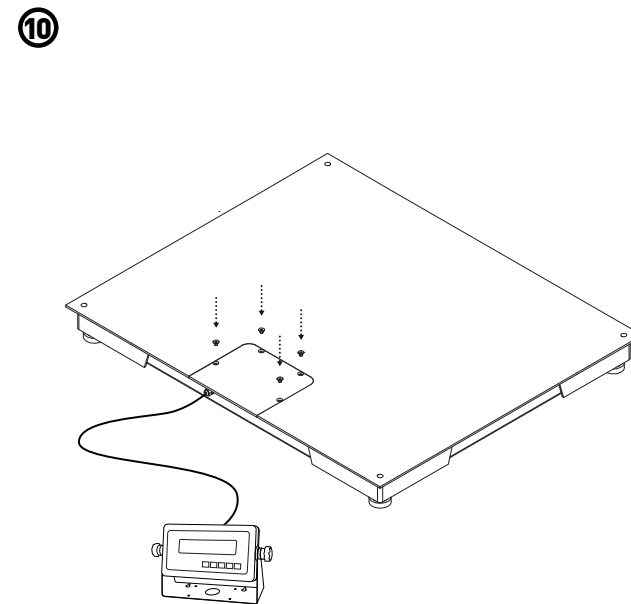
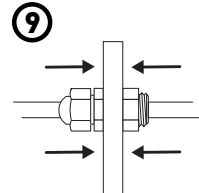
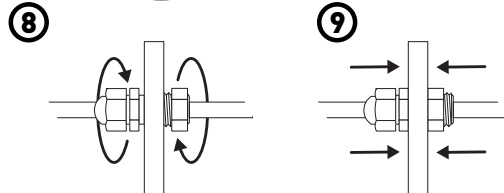
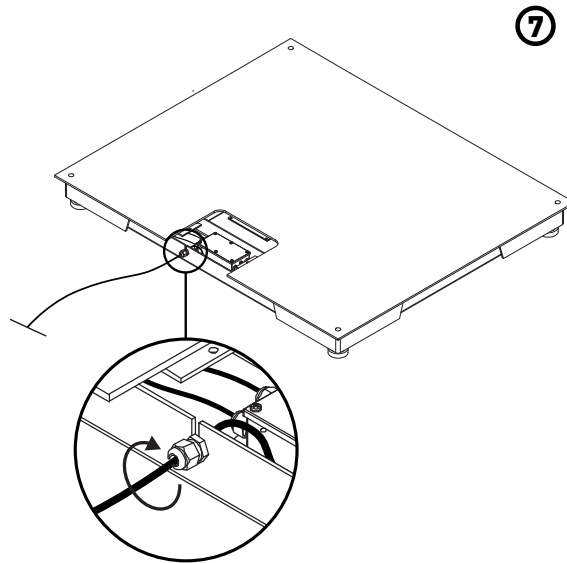
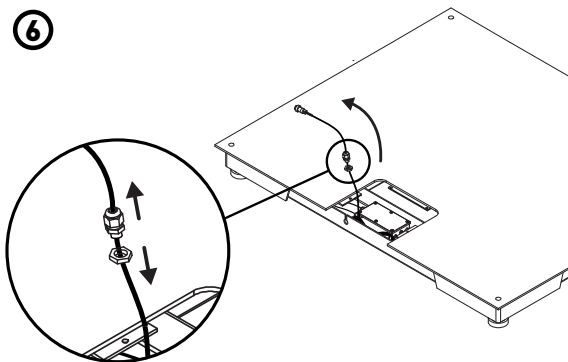
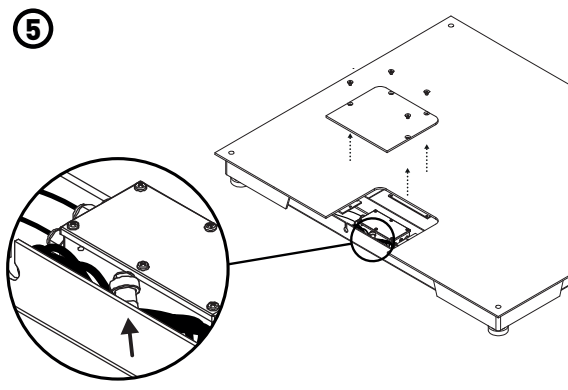


ACCUREX TX Tiger

- Ⓔ Quick assembly guide
- Ⓔ Guía rápida de montaje
- Ⓔ Guide de montage rapide
- Ⓔ Guida rapida al montaggio
- Ⓔ Schnellmontageanleitung





https://gram-group.com/wp-content/uploads/2023/04/2023_MU_TX-M_PRINT_EN_001.pdf



https://gram-group.com/wp-content/uploads/2023/04/2023_MU_TX-M_PRINT_ES_001.pdf



https://gram-group.com/wp-content/uploads/2023/04/2023_MU_TX-M_PRINT_FR_001.pdf



https://gram-group.com/wp-content/uploads/2023/04/2023_MU_TX-M_PRINT_DE_001.pdf



https://gram-group.com/wp-content/uploads/2023/04/2023_MU_TX-M_PRINT_IT_001.pdf